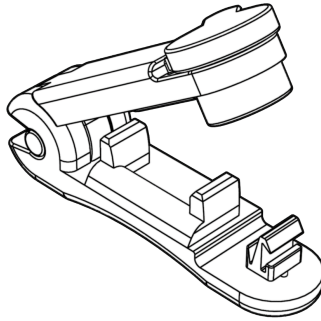


NEUMA™

INSTRUCTIONS FOR USE: Neuma Innovations™ Central Line Clamp



Contents: (100 count) Central Line Clamps, individually packaged for use with Central Line Catheters, including PICC lines.

Non-Sterile, Not Intended for Sterilization, Single-Use Disposable

CAUTION: Federal (USA) law restricts this device to use by or on the order of a physician.

NOTE: Thoroughly read all instructions before using the Neuma Central Line Clamp. Observe all warnings, precautions and cautions noted throughout these instructions.

INDICATIONS / INTENDED USE

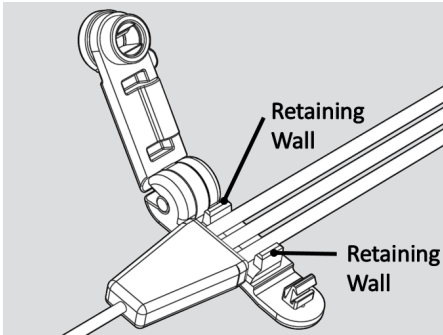
The device is intended to be used as an accessory to Central Venous Lines (CL) as a means of lessening the risk of unwanted flow through the line, to help safeguard against accidental medical error, and to deter and make evident attempts to tamper with or remove the device.

CONTRAINDICATIONS, CAUTIONS, AND WARNINGS:

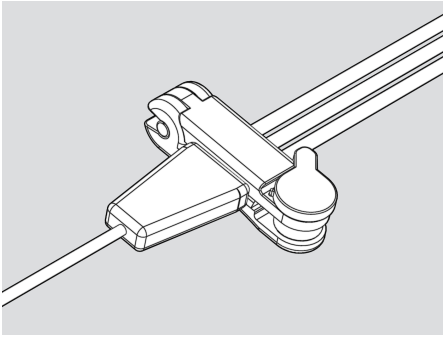
- Do not attempt to re-use this single use device.
- Ensure that the infusion lumens are properly placed within the clamping area of the device as instructed in the Directions-For-Use.
- This product is not intended for use with a Quinton catheter (for hemodialysis).

APPLICATION

- 1) Open the pouch and remove the device.
- 2) Place the desired lumen or lumens into the clamping area of the device.
The device is to be placed between the hub and the luer or luer.
- 3) Ensure the lumen or lumens are between the two retaining wall features.

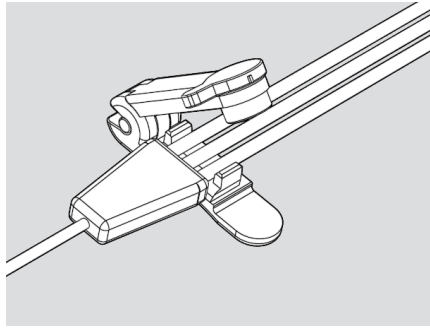
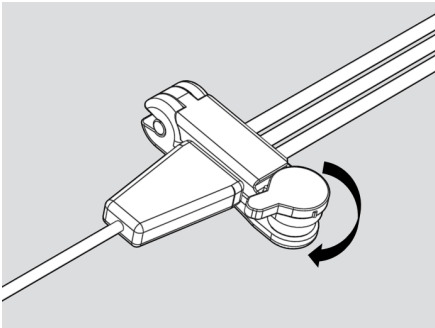


- 4) Press the device closed until it snaps shut.





REMOVAL

Rotate the knob clockwise to break the device closure.
Remove the device and dispose of it properly.



DEFINITION OF SYMBOLS


 REF NEUMA-REF-001-2018

 LOT NEUMA-LOT-001-2018

 REORDER www.NeumaInnovations.com


 July 2018

 LODESTONE PACIFIC MFG

 NON-STERILE

 DO NOT RE-USE

 CONSULT INSTRUCTIONS FOR USE

 Federal (U.S.) Law restricts this device to sale by or on the order of a physician.

Manufactured by:
Lodestone Pacific - Digilent.net
4769 East Wesley Drive
Anaheim, CA 92807 U.S.A.
Tel: +1-714-970-0900

Neuma Innovations and Central Line Clamp (CLC) are trademarks or registered trademarks of Neuma Innovations LLC in the U.S. and other countries.

Protected by U.S. patents